

CANADA FOUNDATION FOR INNOVATION

# Our role in the Canadian funding landscape

May 2025

**INNOVATION**

Canada Foundation  
for Innovation

Fondation canadienne  
pour l'innovation

---

# About the CFI

With a bold, future-looking mandate, the Canada Foundation for Innovation equips researchers to be global leaders in their field and to respond to emerging challenges.

Our investments in state-of-the-art tools, instruments and facilities at universities, colleges, research hospitals and non-profit research institutions underpin both curiosity- and mission-driven research that cuts across disciplines and bridges all sectors.

The research infrastructure we fund mobilizes knowledge, spurs innovation and commercialization, and empowers the talented minds of a new generation.



# Our objectives

- Support economic growth and job creation, as well as health and environmental quality through innovation
- Increase Canada's capability to carry out important world-class scientific research and technology development
- Expand research and job opportunities by providing support through research infrastructure for the development of highly qualified personnel
- Promote productive networks and collaboration among Canadian universities, colleges, research hospitals, non-profit research institutions and the private sector



---

Since its creation in 1997, the CFI has committed\* more than

- **\$11.1 billion**
- In support of **13,476 projects**
- At **177 research institutions**
- In **82 municipalities** across Canada

\* As of April 29, 2025



---

# A unique funding model



## **Institutional awards**

---

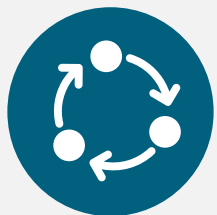
CFI awards are institutional awards for research infrastructure – equipment, renovations, database development.



## **Distinctive funding structure**

---

CFI awards cover up to 40% of the infrastructure costs, while the remaining 60% is funded by provinces, institutions, and the private sector.



## **Operational support**

---

The CFI provides 30% of the CFI-funded amount towards operation and maintenance costs through the Infrastructure Operating Fund (IOF).





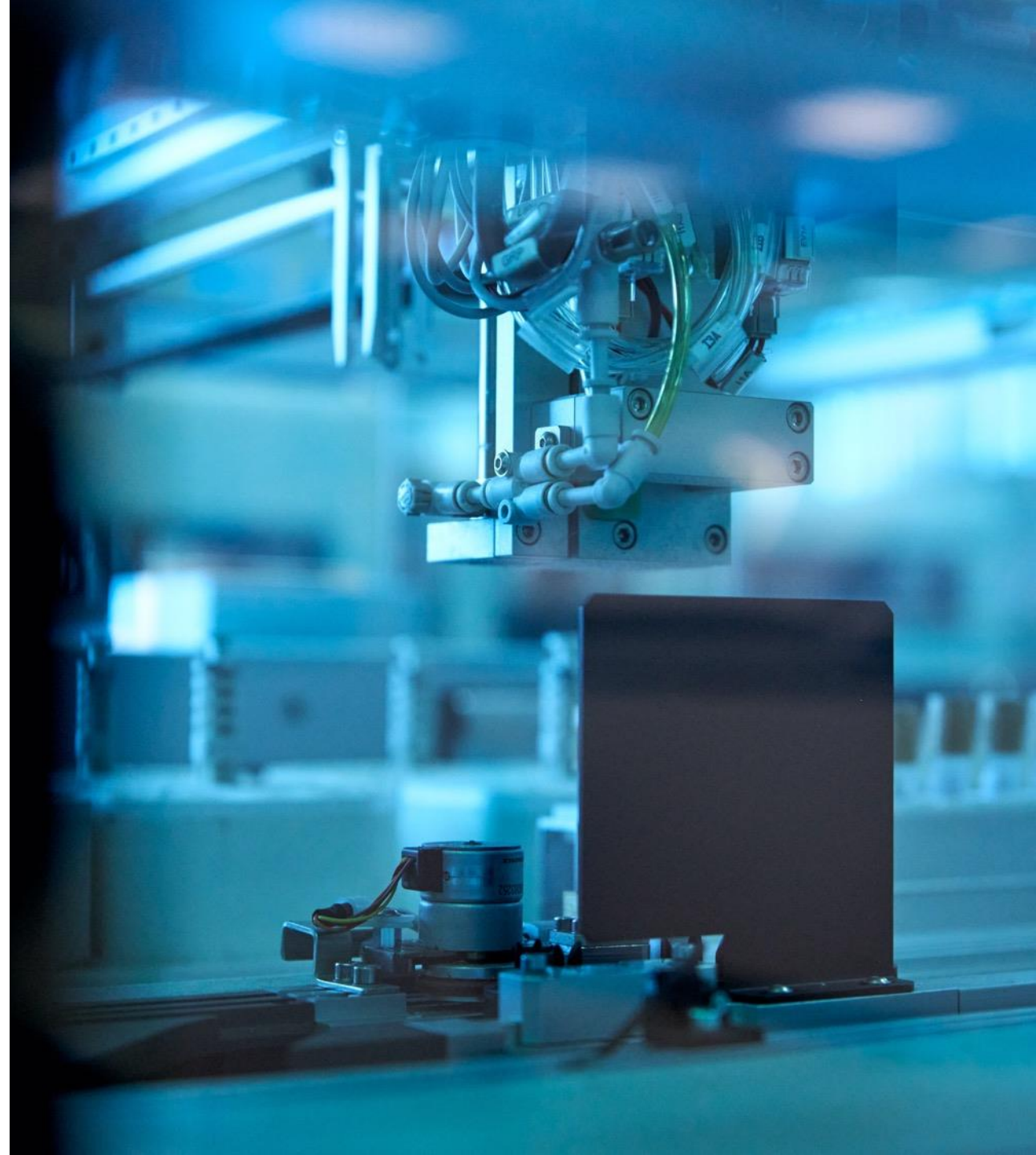
# Innovation Fund

---

Projects funded through the Innovation Fund help Canada remain at the forefront of exploration and knowledge generation while making meaningful contributions to generating social, health, environmental and economic benefits and addressing global challenges.

# Eligible infrastructure

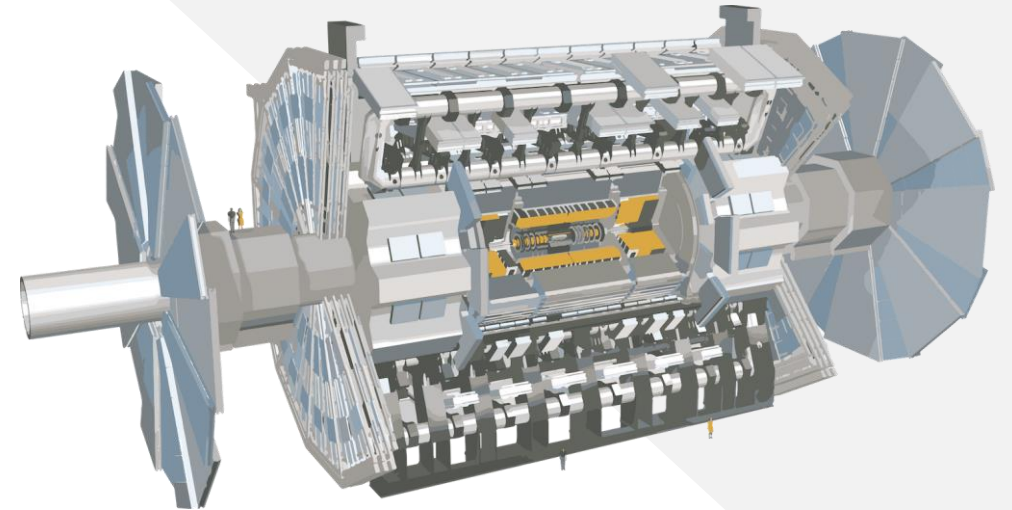
- Acquisition or development of research infrastructure to increase research capacity and enable innovative research activities
- Facilities, laboratories, equipment, computer hardware, software, and databases
- Including workhorses and upgrade or replacement of aging infrastructure



---

# Ongoing CFI funding in SAP

- Over CAD 300M (Closer to CAD 1B with matching)
- CAD 31M for Canadian contribution to Atlas upgrade at the LHC (Inner Trackers, Liquid Argon Calorimeters and common funds)
- CAD 7.3M for Canadian contribution to Darkside-20k at LNGS (Uar storage and transport)



---

# Recent funding in $0\nu\beta\beta$

- **2020** CAD 6.8M for developing technology for photodetectors
- **2023** CAD 10M for work on outer detector tank

**Every 2 years**

CFI's Innovation Fund provides opportunities to support large-scale infrastructure projects, such as nEXO, XLZD, and others.



---

# Major Science Initiatives Fund

The Major Science Initiatives Fund provides support for the ongoing operating and maintenance needs of research facilities of national importance.



# SNOLAB

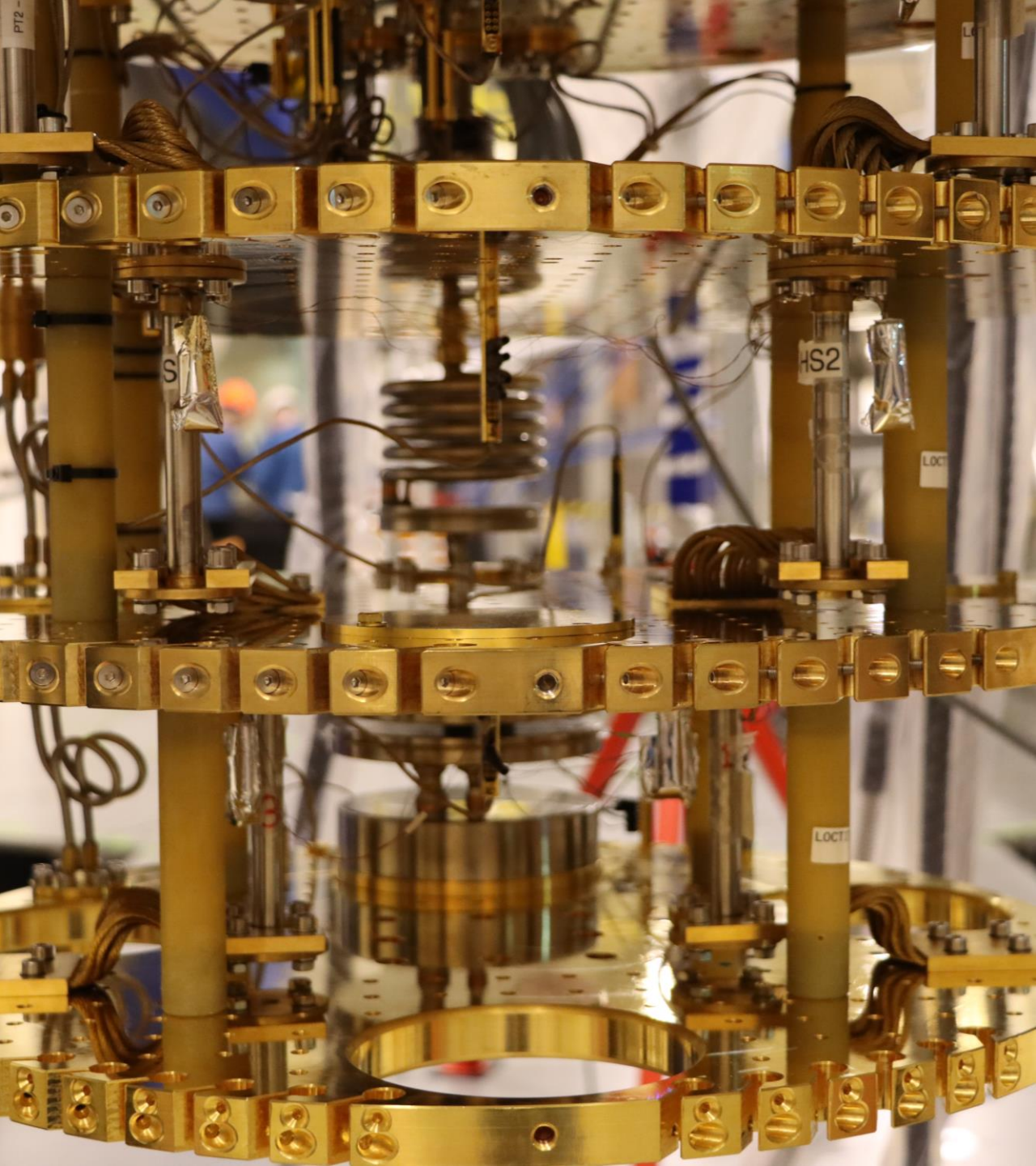
The image shows the interior of a large, circular detector hall, likely the SNOLAB. The floor is a polished, reflective metal surface. Several photomultiplier tubes (PMTs) are mounted on a circular structure around the perimeter. Each PMT is housed in a clear, cylindrical protective enclosure. The lighting is dim, with the primary light source being the PMTs themselves, which cast a warm, golden glow. A thick black cable runs across the floor in the foreground. The overall atmosphere is technical and precise.



# CFI support

- **SNOLAB created through significant expansion of deep underground facilities for SNO**
- **Expansion funded by the CFI in 2002**
- **\$44.5M investment from CFI & \$19.4M from partners (Province of Ontario) => Total \$64M**
- **Overall infrastructure funding provided by the CFI \$86.8M**
- **Including \$10.6M investment for SNO+ in 2009**
- **And \$7.2M for Next Generation Liquid Argon Dark Matter Detector and Underground Argon Storage Facility in 2020 (incl. upgrades to DEAP-3600, contributions to Darkside-20k, setting stage for Argo)**





# Operational funding

- **CFI provides O&M funding to SNOLAB since 2012 through the Major Science Initiatives Fund**
- **Overall CFI investment of \$207.9M**
  - **2012-2017 CFI contributes \$29.5M (40% of total)**
  - **2017-23 CFI contributes \$76.4M (increase from 40% to 60% of total in 2018)**
  - **2023-2029 CFI contributes \$102M (60% of total)**
- **Matching funding provided by Government of Ontario and Vale, who owns and operates the Creighton mine (in-kind contribution)**



---

# Major Research Facilities

- 2024 Government of Canada mandated the CFI to implement in collaboration with ISED a new decision-making framework for Major Research Facilities
- MRF framework aims to enhance federal decision-making on MRF by introducing
  - coordinated capital and operating and maintenance (O&M) funding
  - and embedding a life-cycle
  - and portfolio-based approach into investment decisions.
- SNOLAB is one of the six facilities designated as a Major Research Facility
- SNOLAB is eligible to receive funding under the parameters of the MRF Framework (CFI support increased to 80%).

